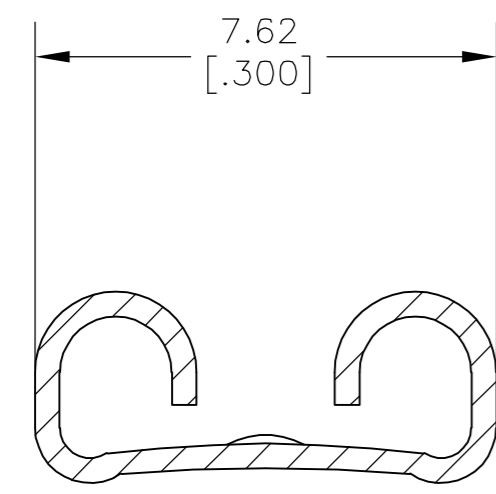


THIS DRAWING IS UNPUBLISHED. RELEASED FOR PUBLICATION
 © COPYRIGHT BY TYCO ELECTRONICS CORPORATION. ALL RIGHTS RESERVED.

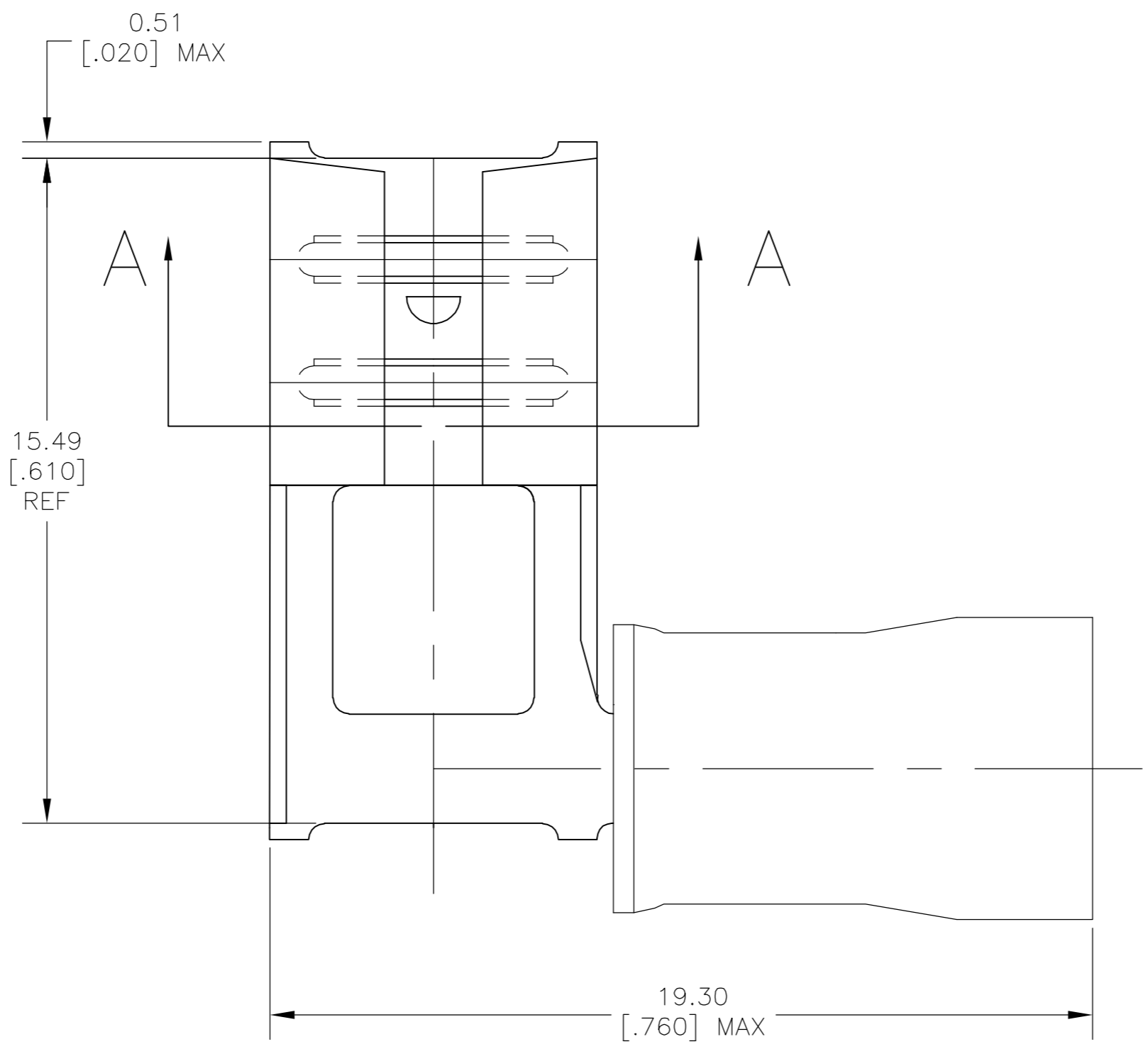
| LOC | DIST | REVISIONS | | | | | |
|-----|------|-----------|-----|-----------------------|---------|-----|------|
| | | P | LTR | DESCRIPTION | DATE | DWN | APVD |
| G | 86 | | B1 | REV PER ECR 06-020266 | 24AUG06 | JR | TM |

AMP WIRE RANGE
 1.2-2.0 mm²
 [16-14] AWG
 STRANDED

- 1 WIRE INSULATION O.D. IS 2.88-4.32 [.115-.170].
- 2 FITS TAB 6.35±0.08 X 0.81±0.025 [.250±.003 X .032±.001].
- △3 MATERIAL: BODY - 0.41 [.016] BRASS
 SLEEVE - COPPER
 INSULATION - NYLON
- △4 FINISH: BODY - TIN-PLATED
 SLEEVE - TIN PLATED
 INSULATION - COLOR BLUE



SECTION A-A



| | | |
|------|--------------|----------|
| 1000 | LOOSE PIECE | 156666-1 |
| QTY | PACKAGE TYPE | PART NO. |

| | | | | | |
|-------------------------------------------------------------------------------------------------|----|------------------|----------------------------------------------------------------|------------|-----------------------------------------------------------|
| THIS DRAWING IS A CONTROLLED DOCUMENT. | | DWN | JR RUTH | 03OCT02 | Tyco Electronics Corporation Harrisburg, PA 17105-3608 |
| DIMENSIONS: INCHES | | CHK | T MICHIELUTTI | 03OCT02 | |
| TOLERANCES UNLESS OTHERWISE SPECIFIED: | | APVD | T MICHIELUTTI | 03OCT02 | |
| 0 PLC ± - 1 PLC ± - 2 PLC ± 0.25 [.010] 3 PLC ± - 4 PLC ± - ANGLES ± - FINISH | | PRODUCT SPEC | NAME | | |
| | | APPLICATION SPEC | RECEPTACLE, 250 SERIES, FLAG FASTON, PIDG, WIRE SIZE 16-14 AWG | | RESTRICTED TO |
| MATERIAL | △3 | WEIGHT | - | SIZE | A2 |
| CUSTOMER DRAWING | | SCALE | 8:1 | CAGE CODE | 00779 |
| | | SHEET | 1 of 1 | DRAWING NO | C=156666 |
| | | REV | B1 | | |

156666